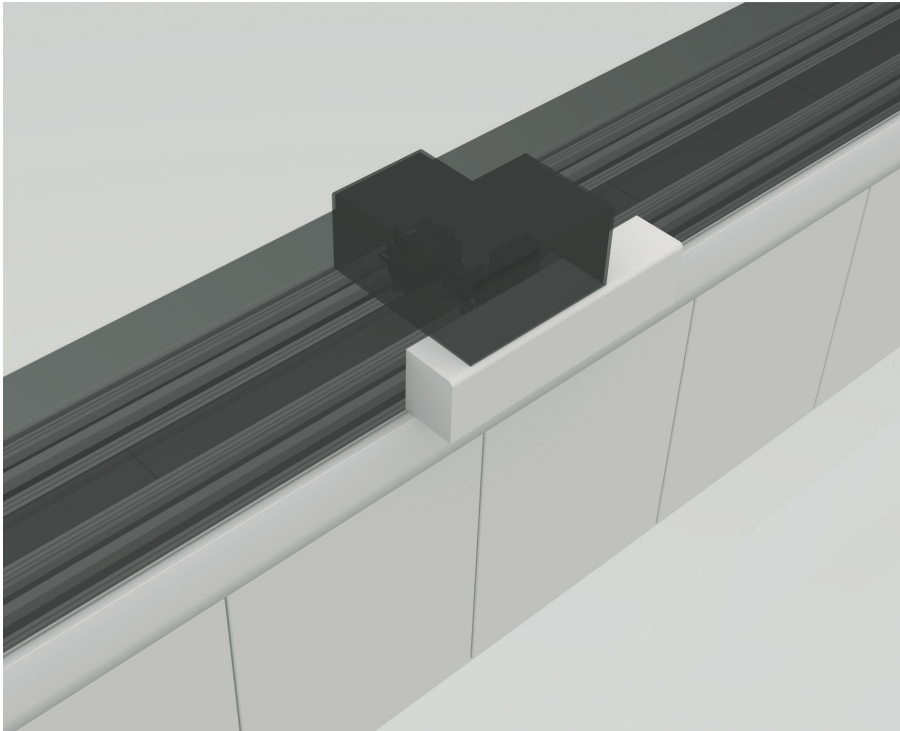


Universal Shaker Module (USH)

Technical Data Sheet

The Universal Shaker Module automates the mixing process for samples which need to be homogenized before analysis. The sample tubes are stopped by multiple gates (one for each mixing arm position) in order to be gripped and mixed.

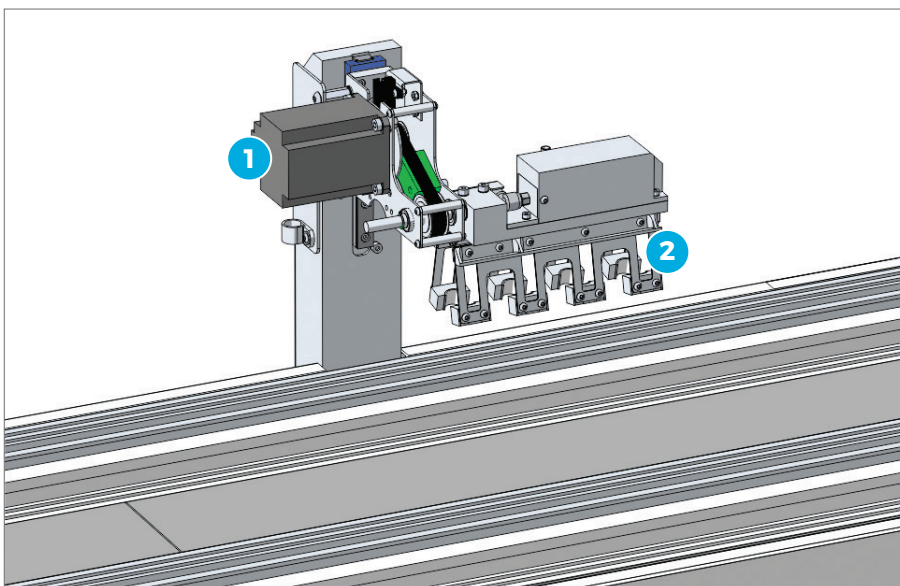


Benefits

- > Uniform mixing of samples before analysis
- > Each mixing of the Sample Tube Shaker can ensure up and down movement of the sample, avoiding damage and hemolysis

Applications

- > Mixing of samples before analysis (e.g. Complete Blood Cells Count, Erythrocyte Sedimentation Rate) when required



- 1 Shaker Device
- 2 Shaker Grippers

Main Features

Throughput	Up to 700 tubes/h
Walk-away capacity	Always automatically loaded
Tube specifications	
Sample type	Unspun
Cap type	Capped
Dimensions (mm)	13x75, 13x100, 16x100
Position along the automation	Before and as close as possible to the relevant analyzer

The maximum throughput calculations are obtained in optimized and standardized conditions, as tested by Inpeco.

Other Features

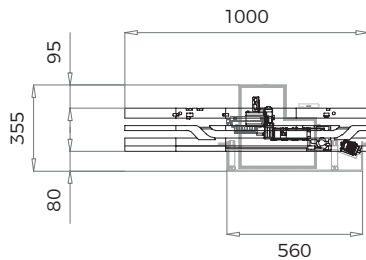
- > The USH has 4 Shaker positions to mix a maximum of 4 sample tubes in parallel
- > The USH allows the same number of inversions for each tube.
- > The USH is available in 3 versions: 13x75, 13x100, 16x100

Technical Specifications

Dimensions (LxHxD) (mm)	Included in the track
Main clearances (left x right x front) (mm)	/
Weight - only module (Kg)	10
Compressed air (NL/min)	6.1 (Standard), 2.2 (HT)
Power inlet point	230 Vdc

Maximum continuous current (A)	/
Maximum alternate current (A)	1.1 (Standard), 1.25 (HT)
Total power consumption (VA)	253 (Standard), 287.5(HT)
Heat (BTU/h)	688.2 (Standard), 782.0 (HT)

Technical Drawing



Module dimensions and clearances expressed in mm.

Ordinary Maintenance

Operator ¹	/
Service ²	Every 90-180 days, according to operations

¹ According to Operation Manual. ²The periodicity depends also on the routine tubes/day. For more details refer to Service Manual.

Part Numbers	FlexLab™	FlexLab™ for High Throughput
USH 13x75	FLX-060-00	FLX-060-10
USH 13x100	FLX-059-00	FLX-059-10
USH 16x100	FLX-096-00	FLX-096-10

N.A. = Not Available.